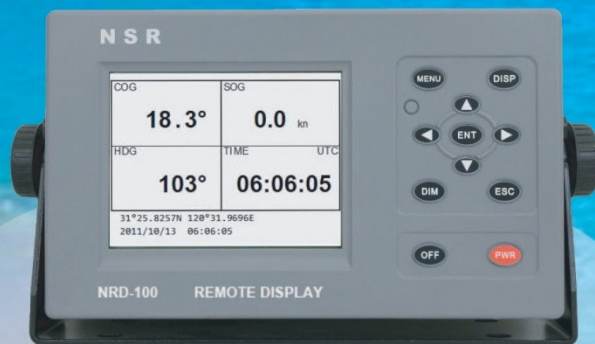


## NRD-100

### REMOTE DISPLAY



REMOTE DISPLAY

WIND AND DEPTH	
A Wind	<b>306</b> <b>0.5</b> kt
T Wind	<b>000</b> <b>0.0</b> kt
DEPTH	<b>57.2</b> m
ALARM OFF	
Below trans ducer	
31 25.8257N 120 31.9696E	
2011/10/13 06:06:15	

A POINT0000	
BRG	<b>084</b>
COG	<b>018</b>
RNG	<b>8.02</b> nm
SOG	<b>0.0</b> kt
XTE	<b>0.00</b> nm
31 25.825N 120 31.969E	
2011/10/13 06:06:07	

SPEED LOG	
SPEED	<b>00.0</b> kt
DIST	<b>1.7</b> NM
VOY TOTAL	
<b>12346</b> NM	
31 25.8257N 120 31.9696E	
2011/10/13 06:06:05	

# NRD-100 REMOTE DISPLAY

## FEATURES

- Compact remote data display for onboard electronics.
- 5.7" silver bright monochrome LCD.
- Display up to 5 types of navigation data at a time from GPS navigator, Navigational sounder, Speed log, Gyro compass, Anemometer, Temperature sensor, etc. via NMEA 0183 interface.
- Audible and visual alarm for preset speed, wind speed, water depth.
- Powered by a wide-range of DC power source 10V~38V.

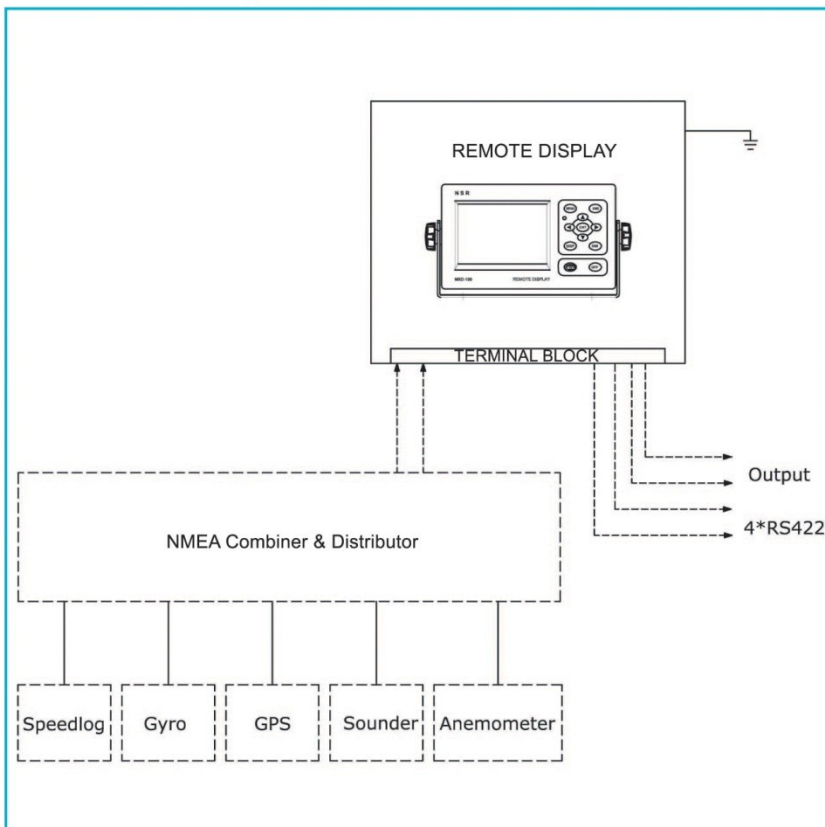
## SPECIFICATIONS

- **DISPLAY STYLE**  
1/2/3/4 Data, Highway, Graph, Alphanumeric
- **DISPLAY MODE**  
Nav data, Highway, Heading, Speed, Depth, SOG, Wind angle/speed, Airtemp
- **ALARM**  
Alarm Methods: Audible & Visual  
Alarm Items: Ship speed, Wind speed, water depth
- **DISPLAY**  
5.7" Silver Bright LCD with LED Backlight
- **INTERFACE**  
Output: 4×RS422  
Input: 1×RS232, 1×RS422  
Electrical Interfaces: NMEA 0183 (IEC61162-1)
- **POWER SUPPLY:** DC24V (10V~38V)
- **SIZE:** 145 (H) × 264 (W) × 80 (D) mm
- **WEIGHT:** abt 0.4 kg

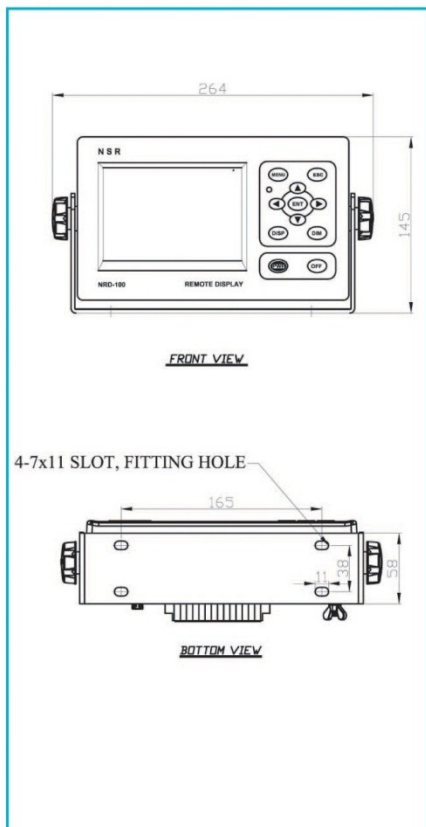
## EQUIPMENT LIST

- **STANDARD**
  - Display Unit with Bracket
  - Accessories
- **OPTIONS**
  - NMEA Combiner & Distributor
  - Brackets for Flush Mount

## SYSTEM DIAGRAM



## SIZE DIMENSION



※ Specifications subject to change without notice.